

# Type 4X Fiberglass Enclosures

## Type 4X Fiberglass Enclosures

Saginaw Control & Engineering's Type 4X Fiberglass Enclosures are designed for indoor or outdoor use to house electronic controls, instruments and components in areas that may be regularly hosed down, are in very wet conditions, or are exposed to corrosive agents.

These enclosures provide protection from corrosion, wind blown dust, rain, spraying water, hose directed water and ice formation on the enclosure.

### Product Attributes

- Polyester fiberglass sheets are reinforced with short strands of fiberglass in random order in the polyester resin.
- Memory retaining gasket.
- Quick release padlock latches made of stainless steel.
- Stainless steel continuous hinge
- Custom and custom sizes available on request

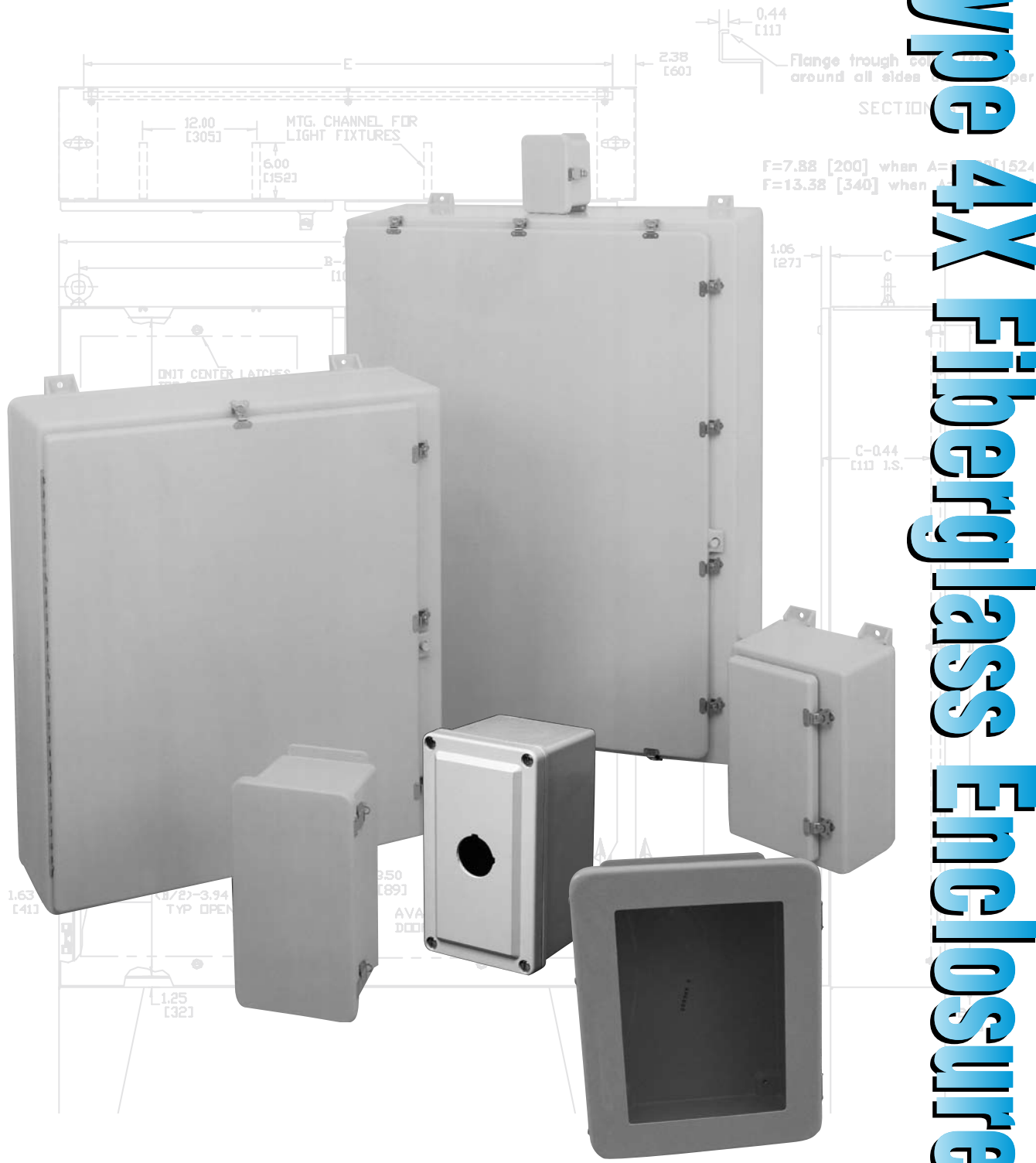
### Product Overview

- Junction Enclosures
- Wall-Mounted Enclosures
- Junction Enclosures with Window
- Screw Cover Junction Enclosures
- Pushbutton Enclosures

Phone (989) 799-6871  
Fax (989) 799-4524



# Type 4X Fiberglass Enclosures



Phone (989) 799-6871  
 Fax (989) 799-4524



## TYPE 4X Fiberglass Junction Enclosures

### Application -

Designed for indoor or outdoor use to house electrical and electronic controls, instruments and components in areas that may be regularly hosed down, are in very wet conditions, or are exposed to corrosive agents. Provides protection from dust, dirt, oil and water. Provides protection from occasional temporary or prolonged submersion.

### Construction -

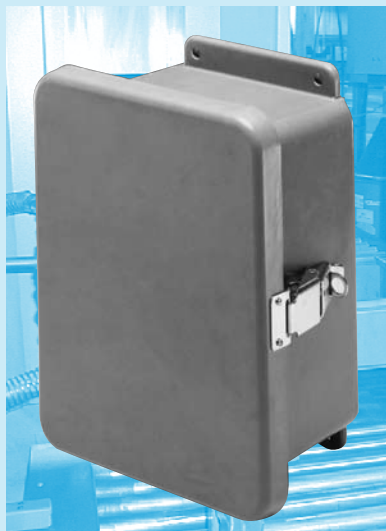
- Fiberglass reinforced compression molded polyester.
- Oil-resistant door gasket.
- Mounting strip molded in.
- Quick release padlock latch.
- Integral panel mounting inserts.
- Stainless steel continuous hinge.

### Finish -

Light gray fiberglass. Optional panels are marine grade aluminum.

### Industry Standards -

NEMA Type 3, 4, 4X, 6P, 12 & 13  
UL Listed Type 3, 4, 4X, 6P & 12  
CSA Type 3, 4, 4X, 6P, & 12  
IEC 60529 IP 66

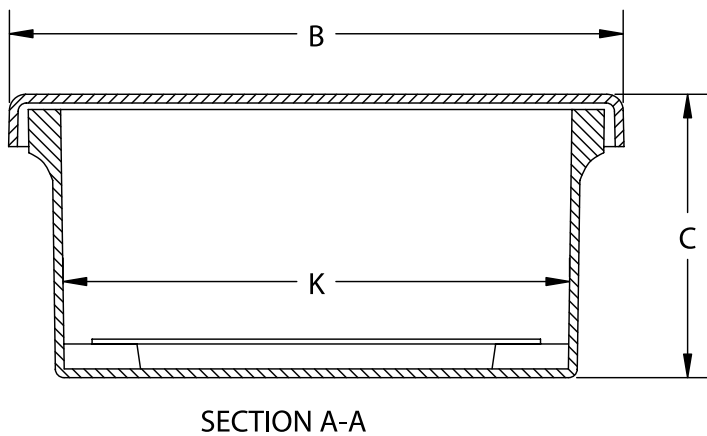
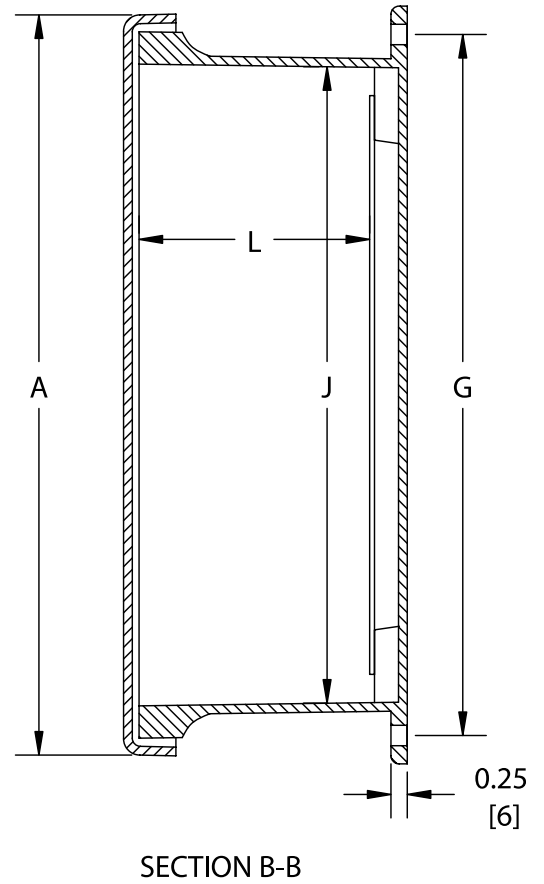
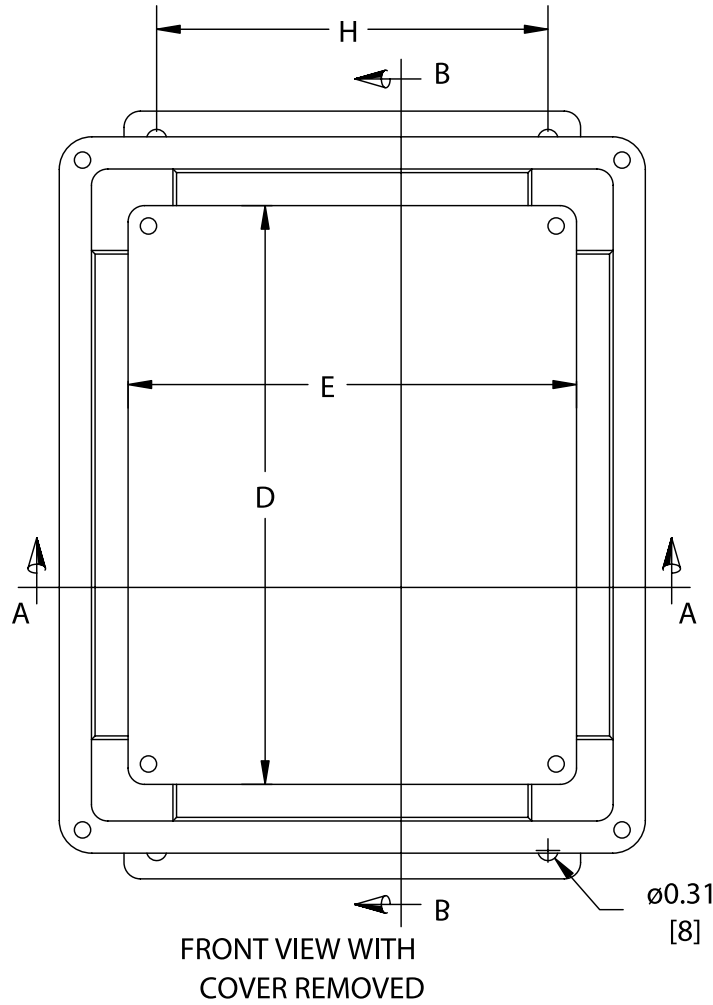


## TYPE 4X FIBERGLASS JUNCTION ENCLOSURES

ENCLOSURES									
Catalog No.	Height (A)	Width (B)	Depth (C)	Mounting (G)	Mounting (H)	Interior (J)	Interior (K)	Interior (L)	Product Code
SCE-6045CHQRFG	7.39	5.43	4.75	6.75	2.00	5.84	3.85	3.95	F1
SCE-6065CHQRFG	7.52	7.50	4.75	6.75	4.00	5.72	5.72	3.95	F1
SCE-8065CHQRFG	9.50	7.50	4.74	8.88	4.00	7.73	5.74	3.95	F1
SCE-808CHQRFG	9.37	9.38	4.89	8.75	6.00	7.73	7.73	4.06	F1
SCE-10085CHQRFG	11.35	9.41	4.25	10.75	6.00	9.73	7.73	3.38	F1
SCE-12105CHQRFG	13.41	11.43	5.06	12.75	8.00	11.79	9.80	4.23	F1
SCE-1212CHQRFG	13.38	13.38	6.36	12.75	10.00	11.70	11.70	5.53	F1
SCE-14087CHQRFG	15.75	8.75	6.81	15.00	5.00	14.00	7.00	5.98	F1
SCE-14127CHQRFG	15.47	13.50	6.25	14.62	10.00	13.53	11.55	5.42	F1
SCE-16147CHQRFG	17.45	15.46	6.23	16.75	12.00	15.63	13.60	5.40	F1
SCE-18169CHQRFG	19.61	17.61	8.82	18.88	12.00	17.69	15.69	8.00	F1
SCE-2016CHQRFG	21.68	17.68	8.83	21.25	10.00	19.72	15.72	8.00	F1

SUB-PANELS			
Catalog No.	Panel Height (D)	Panel Width (E)	Product Code
SCE-6P4AL	4.88	2.88	F2
SCE-6P6AL	4.88	4.88	F2
SCE-8P6AL	6.88	4.88	F2
SCE-8P8AL	6.88	6.88	F2
SCE-10P8AL	8.88	6.88	F2
SCE-12P10AL	10.88	8.88	F2
SCE-12P12AL	10.88	10.88	F2
SCE-14P8AL	12.88	5.88	F2
SCE-14P12AL	12.88	10.88	F2
SCE-16P14AL	14.88	12.88	F2
SCE-18P16AL	16.88	14.88	F2
SCE-20PJ16AL	18.88	14.88	F2

# FIBERGLASS JUNCTION ENCLOSURES TECHNICAL DATA



## TYPE 4X Fiberglass Wall-Mount Enclosures

### Application -

Designed for indoor or outdoor use to house electrical and electronic controls, instruments and components in areas that may be regularly hosed down, are in very wet conditions, or are exposed to corrosive agents. Provides protection from dust, dirt, oil and water.

### Construction -

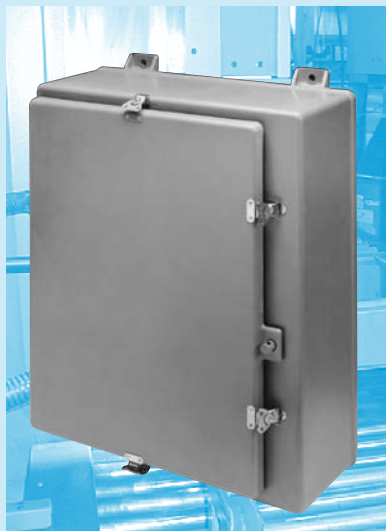
- Fiberglass reinforced compression molded polyester.
- Oil-resistant door gasket.
- Mounting feet molded in.
- Quick release latches.
- Padlock hasp and staple.
- Integral panel mounting inserts.
- Stainless steel continuous hinge.

### Finish -

Light gray fiberglass. Optional panels are marine grade aluminum.

### Industry Standards -

NEMA Type 3, 4, 4X, 12 & 13  
UL Listed Type 3, 4, 4X & 12  
CSA Type 3, 4, 4X, & 12  
IEC 60529 IP 66

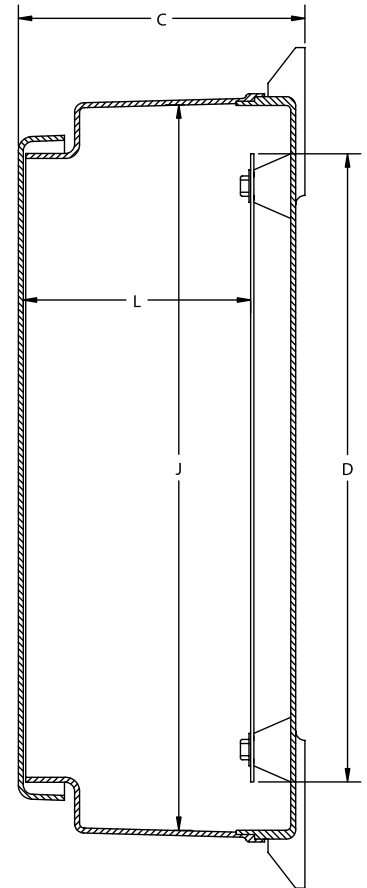
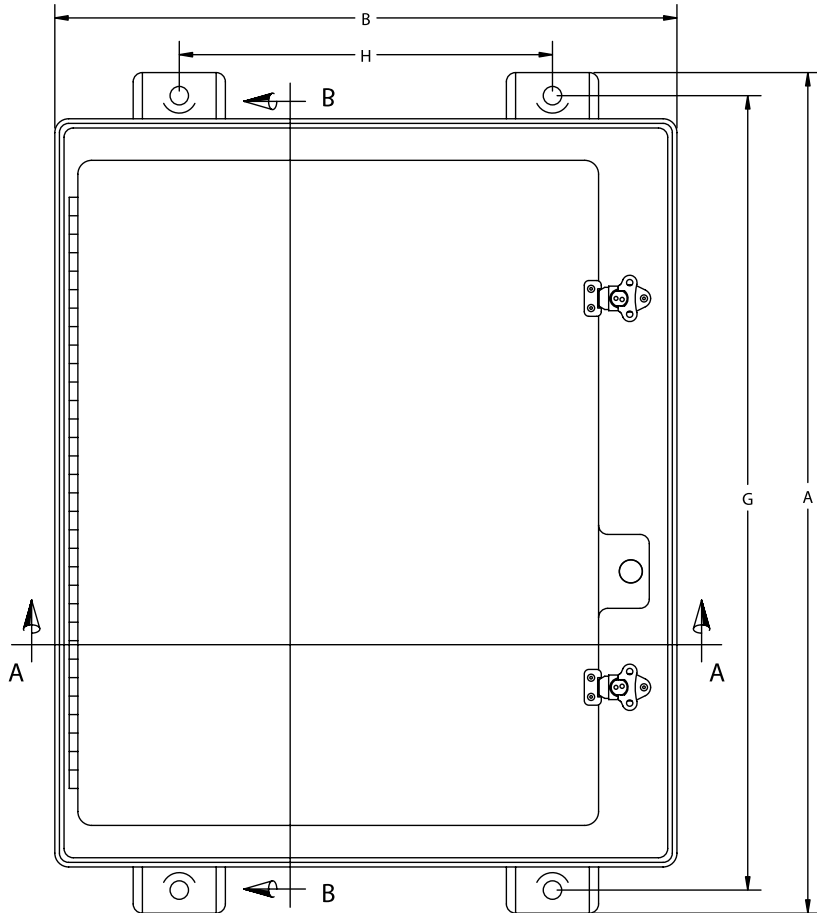


## TYPE 4X FIBERGLASS WALL-MOUNT ENCLOSURES

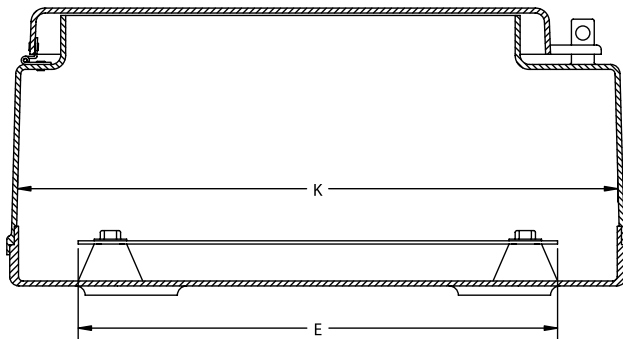
ENCLOSURES									
Catalog No.	Height (A)	Width (B)	Depth (C)	Mounting (G)	Mounting (H)	Interior (J)	Interior (K)	Interior (L)	Product Code
SCE-16H1009QFGLP	18.75	10.96	9.03	17.50	7.00	15.92	10.27	7.80	F1
SCE-20H1608QFGLP	22.75	16.87	7.77	21.50	10.12	19.70	16.04	6.26	F1
SCE-20H1610QFGLP	22.75	16.87	9.77	21.50	10.12	19.70	16.04	8.26	F1
SCE-20H1612QFGLP	22.75	16.87	11.77	21.50	10.12	19.70	16.04	10.26	F1
SCE-24H2010QFGLP	27.00	21.24	9.90	25.75	14.00	24.05	20.39	8.25	F1
SCE-30H2010QFGLP	32.86	20.99	9.89	31.75	14.25	29.90	20.14	8.23	F1
SCE-30H2409QFGLP	33.41	26.32	8.81	32.25	18.50	30.46	25.47	7.12	F1
SCE-30H2412QFGLP	33.41	26.32	11.95	32.25	18.50	30.46	25.47	10.27	F1
SCE-30H2414QFGLP	33.41	26.32	13.79	32.25	18.50	30.46	25.47	12.10	F1
SCE-36H3010QFGLP	39.31	32.50	10.05	38.13	23.88	36.31	31.69	8.36	F1
SCE-36H3012QFGLP	39.31	32.50	12.05	38.13	23.88	36.31	31.69	10.36	F1
SCE-36H3014QFGLP	39.31	32.50	14.05	38.13	23.88	36.31	31.69	12.36	F1

SUB-PANELS			
Catalog No.	Panel Height (D)	Panel Width (E)	Product Code
SCE-16P10AL	13.00	8.50	F2
SCE-20P16AL	17.00	13.00	F2
SCE-24P12AL	21.00	9.00	F2
SCE-24P20AL	21.00	17.00	F2
SCE-30P20AL	27.00	17.00	F2
SCE-30P24AL	27.00	21.00	F2
SCE-36P30AL	33.00	27.00	F2

# FIBERGLASS WALL-MOUNT ENCLOSURES TECHNICAL DATA



SECTION B-B



SECTION A-A

Note: SCE-16H1009QFGLP has no padlock feature.

## TYPE 4X Fiberglass Junction Enclosures With Window

### Application -

Designed for indoor or outdoor use to house electronic controls, instruments and components in areas that may be regularly hosed down, are in very wet conditions, or are exposed to corrosive agents and require unrestricted viewing of gages or controls. Provides protection from dust, dirt, oil and water.

### Construction -

- Fiberglass reinforced compression molded polyester.
- Continuous memory retaining gasket.
- Mounting strips molded in.
- Quick release padlock latch.
- Integral panel mounting inserts.
- Stainless steel continuous hinge.
- UVA acrylic bonded window

### Finish -

Light gray fiberglass. Optional panels are marine grade aluminum.

### Industry Standards -

NEMA Type 3, 4, 4X, 6P, 12 & Type 13  
UL Listed Type 3, 4, 4X, 6P & 12  
CSA Type 3, 4, 4X, 6P & 12  
IEC 60529 IP 55



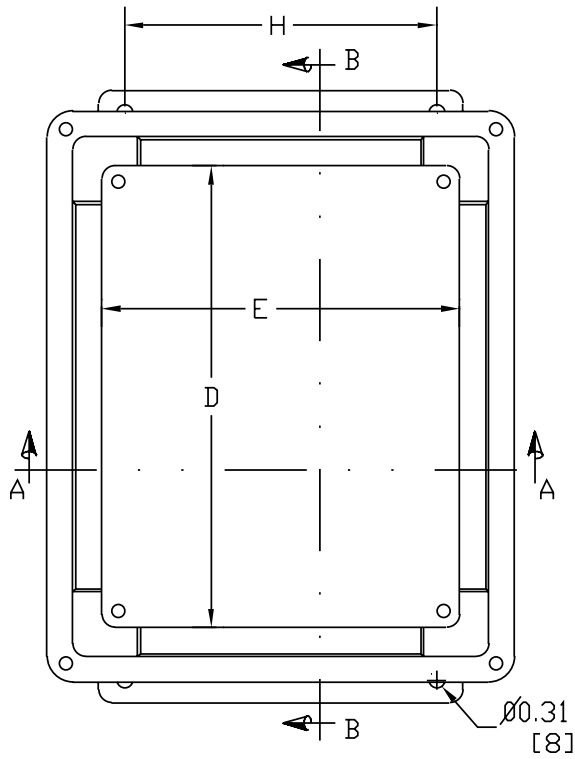
## TYPE 4X FIBERGLASS JUNCTION ENCLOSURES WITH WINDOW

ENCLOSURES									
Catalog No.	Height (A)	Width (B)	Depth (C)	Mounting (G)	Mounting (H)	Interior (J)	Interior (K)	Interior (L)	Product Code
SCE-JW604HPL	7.39	5.43	4.75	6.75	2.00	5.84	3.85	4.00	F1
SCE-JW606HPL	7.52	7.50	4.75	6.75	4.00	5.72	5.72	4.00	F1
SCE-JW806HPL	9.50	7.50	4.74	8.88	4.00	7.73	5.74	4.00	F1
SCE-JW808HPL	9.37	9.38	4.89	8.75	6.00	7.73	7.73	3.93	F1
SCE-JW1008HPL	11.35	9.41	4.25	10.75	6.00	9.73	7.73	3.50	F1
SCE-JW1008HAPL	11.37	9.37	5.06	10.75	6.00	9.73	7.73	4.37	F1
SCE-JW1210HPL	13.41	11.43	5.21	12.75	8.00	11.79	9.80	4.50	F1
SCE-JW1212HPL	13.38	13.38	6.36	12.75	10.00	11.70	11.70	5.40	F1
SCE-JW1407HPL	15.75	8.75	6.81	15.00	5.00	14.00	7.00	6.12	F1
SCE-JW1412HPL	15.47	13.50	6.25	14.62	10.00	13.53	11.55	5.37	F1
SCE-JW1614HPL	17.45	15.46	6.23	16.75	12.00	15.63	13.60	5.36	F1
SCE-JW1816HPL	19.61	17.61	8.82	18.88	12.00	17.69	15.69	7.99	F1
SCE-JW 2016HPL	21.68	17.68	8.83	21.25	10.00	19.72	15.72	8.00	F1

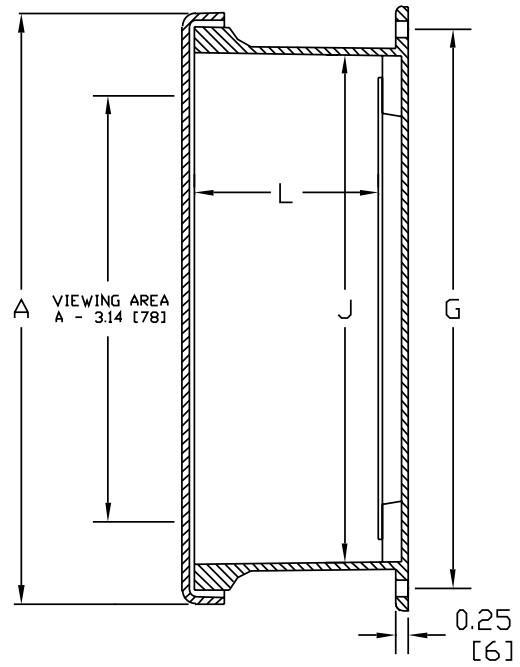
SUB-PANELS			
Catalog No.	Panel Height (D)	Panel Width (E)	Product Code
SCE-6P4AL	4.88	2.88	F2
SCE-6P6AL	4.88	4.88	F2
SCE-8P6AL	6.88	4.88	F2
SCE-8P8AL	6.88	6.88	F2
SCE-10P8AL	8.88	6.88	F2
SCE-12P10AL	10.88	8.88	F2
SCE-12P12AL	10.88	10.88	F2
SCE-14P8AL	12.88	5.88	F2
SCE-14P12AL	12.88	10.88	F2
SCE-16P14AL	14.88	12.88	F2
SCE-18P16AL	16.88	14.88	F2
SCE-20PJ16AL	18.88	14.88	F2

# FIBERGLASS JUNCTION ENCLOSURES WITH WINDOW

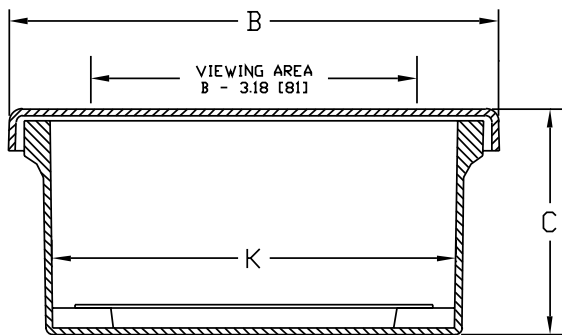
## TECHNICAL DATA



FRONT VIEW WITH COVER REMOVED



SECTION B-B



SECTION A-A



## TYPE 4X

### Fiberglass Screw Cover Junction Enclosures

#### Application -

Designed for indoor or outdoor use to house electronic controls, instruments and components in areas that may be regularly hosed down, are in very wet conditions, or are exposed to corrosive agents. Provides protection from dust, dirt, oil and water.

#### Construction -

- Fiberglass reinforced compression molded polyester.
- Continuous memory retaining gasket.
- Mounting strips molded in.
- Captive screw fasteners.
- Integral panel mounting inserts.
- Stainless steel continuous hinge.

#### Finish -

Light gray fiberglass. Optional panels are marine grade aluminum.

#### Industry Standards -

NEMA Type 3, 4, 4X 12 6P & Type 13  
UL Listed Type 3, 4, 4X 6P & 12  
CSA Type 3, 4, 4X, 6P & 12  
IEC 60529 IP 55

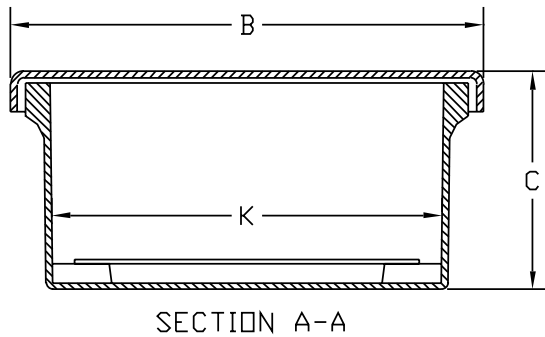
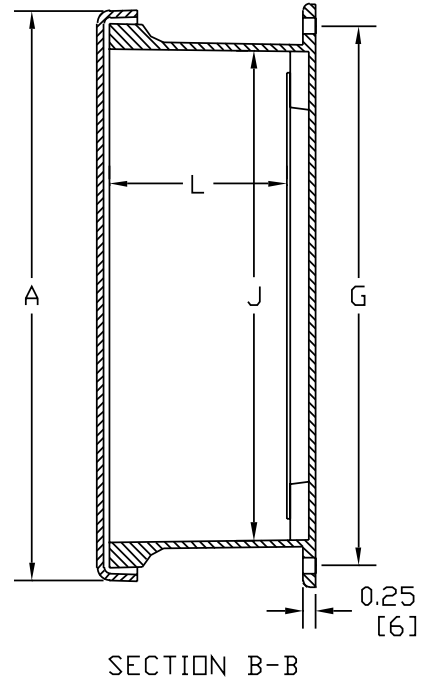
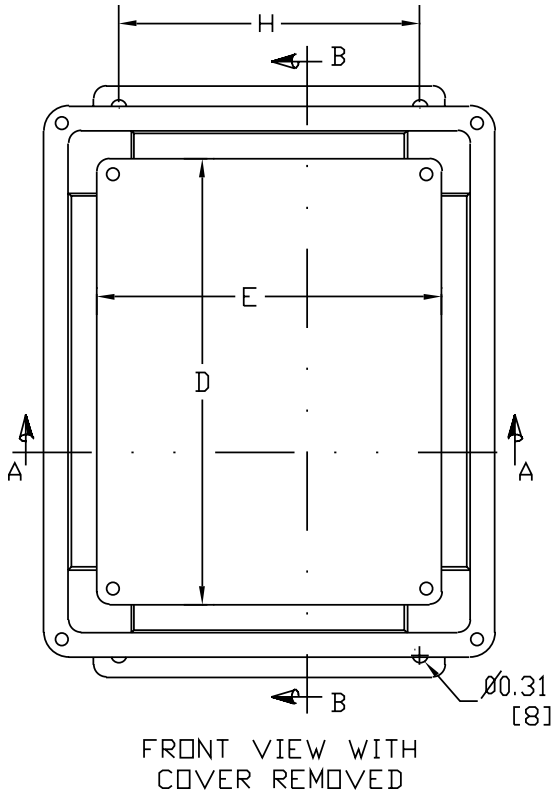


## TYPE 4X FIBERGLASS SCREW COVER JUNCTION ENCLOSURES

ENCLOSURES									
Catalog No.	Height (A)	Width (B)	Depth (C)	Mounting (G)	Mounting (H)	Interior (J)	Interior (K)	Interior (L)	Product Code
SCE-J604HW	7.39	5.43	4.75	6.75	2.00	5.84	3.85	4.00	F1
SCE-J606HW	7.52	7.50	4.75	6.75	4.00	5.72	5.72	4.00	F1
SCE-J806HW	9.50	7.50	4.74	8.88	4.00	7.73	5.74	4.00	F1
SCE-J808HW	9.37	9.38	4.89	8.75	6.00	7.73	7.73	4.06	F1
SCE-J1008HW	11.35	9.41	4.25	10.75	6.00	9.73	7.73	3.50	F1
SCE-J1008HWA	11.37	9.37	5.06	10.75	6.00	9.73	7.73	4.37	F1
SCE-J1210HW	13.41	11.43	5.21	12.75	8.00	11.79	9.80	4.50	F1
SCE-J1212HW	13.38	13.38	6.36	12.75	10.00	11.70	11.70	5.53	F1
SCE-J1407HW	15.75	8.75	6.81	15.00	5.00	14.00	7.00	6.12	F1
SCE-J1412HW	15.47	13.50	6.25	14.62	10.00	13.53	11.55	5.37	F1
SCE-J1614HW	17.45	15.46	6.23	16.75	12.00	15.63	13.60	5.36	F1
SCE-J1816HW	19.61	17.61	8.82	18.88	12.00	17.69	15.69	7.99	F1
SCE-J2016HW	21.68	17.68	8.83	21.25	10.00	19.72	15.72	8.00	F1

SUB-PANELS			
Catalog No.	Panel Height (D)	Panel Width (E)	Product Code
SCE-6P4AL	4.88	2.88	F2
SCE-6P6AL	4.88	4.88	F2
SCE-8P6AL	6.88	4.88	F2
SCE-8P8AL	6.88	6.88	F2
SCE-10P8AL	8.88	6.88	F2
SCE-12P10AL	10.88	8.88	F2
SCE-12P12AL	10.88	10.88	F2
SCE-14P8AL	12.88	5.88	F2
SCE-14P12AL	12.88	10.88	F2
SCE-16P14AL	14.88	12.88	F2
SCE-18P16AL	16.88	14.88	F2
SCE-20PJ16AL	18.88	14.88	F2

# FIBERGLASS SCREW COVER JUNCTION ENCLOSURES TECHNICAL DATA



## TYPE 4X

### Fiberglass Pushbutton Enclosures

#### Application -

Designed for indoor or outdoor use to house pushbuttons, switches, and pilot lights in areas that may be regularly hosed down, are in very wet conditions, or are exposed to corrosive agents. Provides protection from dust, dirt, oil and water.

#### Construction -

- Fiberglass reinforced compression molded polyester.
- Continuous memory retaining gasket.
- Hole diameter is 1.20" (30.5 mm).

#### Finish -

Light gray fiberglass.

#### Industry Standards -

NEMA Type 3, 4, 4X 12, 6P & Type 13  
 UL Listed Type 3, 4, 4X, 6P & 12  
 CSA Type 3, 4, 4X, 6P & 12  
 IEC 60529 IP 55

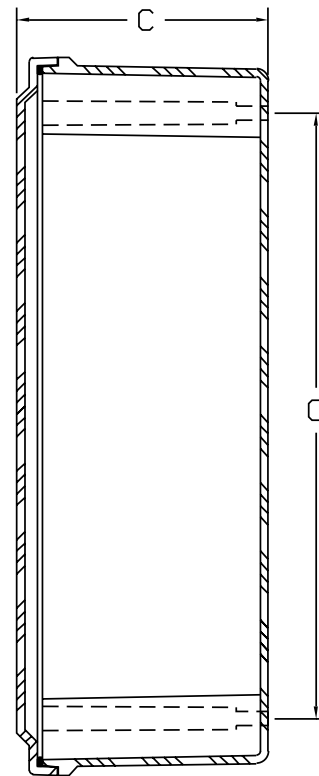
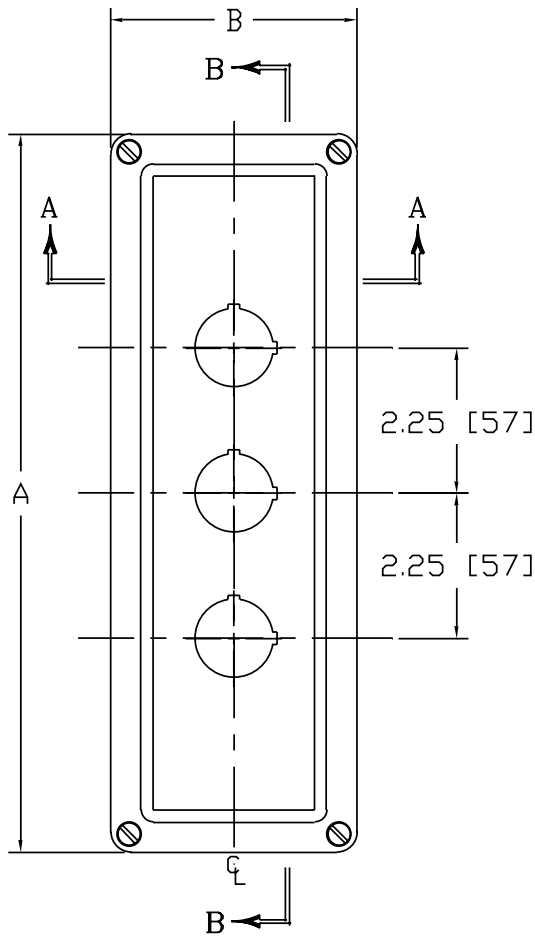
## TYPE 4X

### FIBERGLASS PUSHBUTTON ENCLOSURES

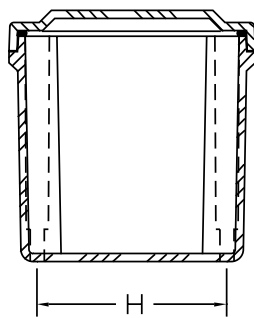
ENCLOSURES						
Catalog No.	Height (A)	Width (B)	Depth (C)	Mounting (G)	Mounting (H)	Product Code
SCE-CF1PB	6.63	3.81	3.89	4.88	2.94	F1
SCE-CF2PB	6.63	3.81	3.89	4.88	2.94	F1
SCE-CF3PB	8.88	3.81	3.89	7.13	2.94	F1



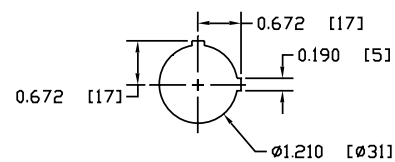
# FIBERGLASS PUSHBUTTON ENCLOSURES TECHNICAL DATA



SECTION B-B



SECTION A-A



DETAIL A